

Sapling Time Zone Clock (V1.4)

Features:

- Sapling Time Zone Clocks can contain most (see below chart) Sapling Digital or Analog Clock design.
- Available for Sapling’s 2-Wire, Wireless, and IP synchronization formats.
- Custom nameplates for locations of your choice
- 3-7 clocks per pole, depending on type & size

Dimensions:

Type of Clock	Maximum Number of Clocks per Pole (Of listed type only)	Sample Overall Length for 5 Clocks
Analog		
12" Round	7	72.44"(184cm)
12" Round Aluminium	7	77.13"(196cm)
16" Round	6	92.44"(235cm)
16" Round Aluminium	6	97.13"(247cm)
12" Square	7	71.81"(182cm)
Digital		
2.5" 4-digit	7	63.25"(161cm)
4.0" 4-digit	7	78.50"(199cm)
2.5" 6-digit	7	80.00"(203cm)
4.0" 6-digit	5	104.31"(265cm)

Minimum Overall Length (3 Digital 2.5" 4-digit): 37.13"(94.3cm)

Maximum Overall Length (6 Analog 16" Round Aluminium): 116.93"(297.0cm)

Nameplate Dimensions: 9.80"(24.9cm) wide by 2.03"(5.2cm) high

For information on Sapling Time Zone Clock Poles with mixed clock types, please contact your regional sales representative.



specification sheets may change without prior notice

Zone Clock Pole (V1.4)



Features:

- Holds 3-7 clocks, depending on length and clock type
- Sturdy aluminum and ABS structure
- Hollow pole allows data and power cable to be threaded through the inside

Specifications:

Dimensions:

Pole Length (A)*

Maximum = 114.25" (290.2cm)

Minimum = 34.44" (87.5cm)

Mounting Base Height (B) = 6.6" (16.7cm)

Material:

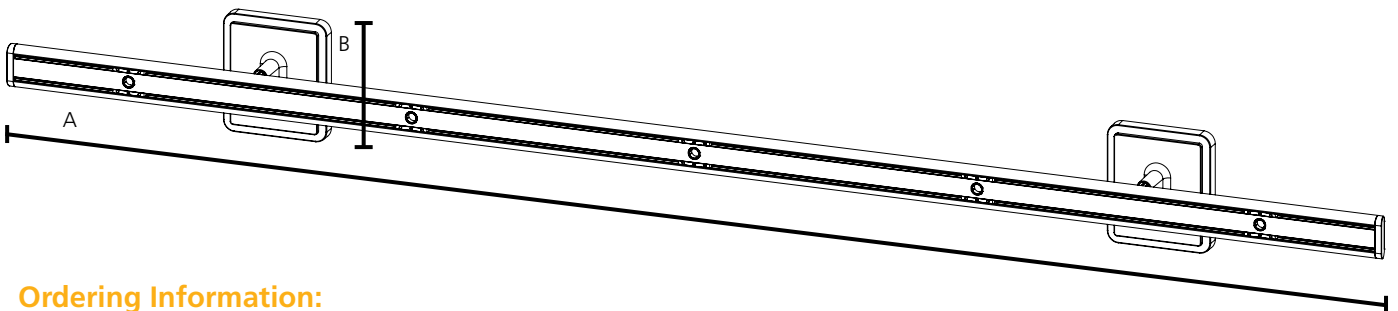
Aluminum Pole

ABS Mounting Base

Color:

Pole = Black

Mounting Base = Metallic Gray



Ordering Information:

Zone Clock Pole: M-ZONE-POLE-B

*Each pole is cut to a custom length depending on the needs of the project. Consult your dealer for more information.

Zone Clock Nameplate (V1.4)

Features:

- Attaches to the Zone Clock Pole.
- Durable metal exterior.
- Gray, Black, or Silver, depending on the clock that it was ordered with.
- White letters on a black background for easy viewing.

Specifications:

Dimensions:

Nameplate Height (A) = 2.0" (5.1cm)

Nameplate Width (B) = 9.75" (24.8cm)

Bracket height (including nameplate) (C)

Bracket 1 = 8.0" (20.3cm)

Bracket 2 = 9.5" (24.1cm)

Bracket 3 = 11.5" (29.2cm)

Bracket 4 = 13.0" (33.0cm)

Material:

Aluminum

Color:

Gray, Black, or Silver

Ordering Information:

List of Frame Types:

Black Frame

Gray Frame

Silver Frame

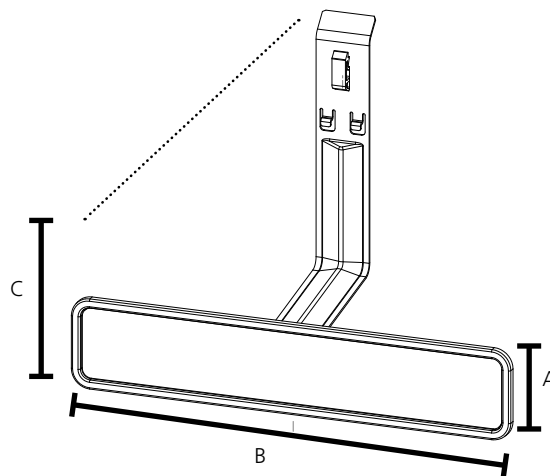
List of Bracket Types:

Bracket Size 1

Bracket Size 2

Bracket Size 3

Bracket Size 4



NOTE: Certain bracket sizes and nameplate colors must be ordered with a specific clock type. Contact your dealer for information on appropriate colors and sizes for your application.